



motoalliance

22000 Industrial Blvd, Rogers, MN 55374 / 1-866-527-7637
www.motoalliance.com

Thermostat Bypass Kit

Type 103

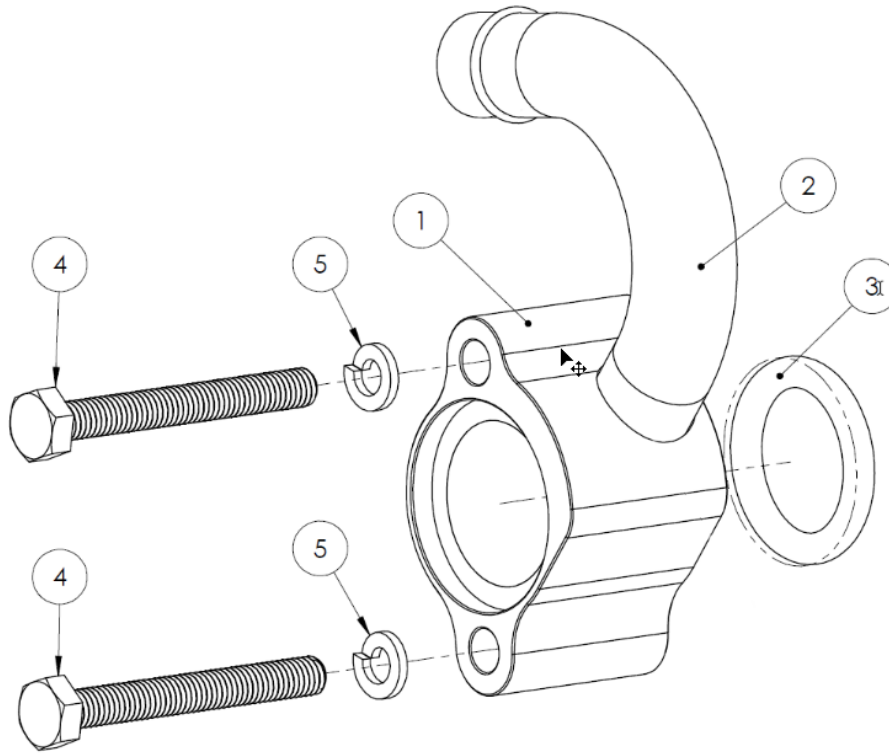
Thank you for purchasing our Firestorm Thermostat Bypass Valve. Once your vehicle is warmed up, the Thermostat Bypass Valve will cause your heater system to provide consistent heat that is independent of the thermostat position.

Note: When working on your vehicle's coolant system, always ensure that the engine is cold. Neglecting to do this may result in significant burns.

**Firestorm Heater Bypass Kit
HT-BP103**

Please verify that all hardware and parts are included in your package.

Kit Contents:



Item	Description	Qty
1 & 2	Thermostat Bypass Housing Type 202	1
3	1.25" O-Ring R1000-316	1
4	M6 x 50mm SS HH Bolt	2
7	M6 SS Lock Washer	2
8	8 Feet of 5/8" Coolant Hose (Not shown)	8